

# JH31

## 系列半闭式单点固定台压力机

### JH31 straight-side single point fixed bolster press

技术参数Specifications	代号R	单位Unit	JH31-110	JH31-160	JH31-200	JH31-250	JH31-315	JH31-400
滑块公称力Nominal Capacity	Pe	KN	1100	1600	2000	2500	3150	4000
公称力行程Nominal	Sp	mm	6	6	6	6	7	8
滑块行程Slide Stroke	S	mm	180	200	220	220	220	250
行程次数Slide Strokes Per Minute	n	spm	50	45	45	30	30	30
最大装模高度Maximum Die Set Height	H2	mm	350	400	450	500	500	550
装模高度调节量Die Height Adjustment	t	mm	90	100	110	120	120	120
立柱间距离Column distance	dl	mm	850	936	1130	1220	1240	1310
工作台板尺寸Bolster Size (前后x左右)	DxC	mm	680x800	760x880	840x1070	880x1170	880x1200	950x1250
地脚螺栓间距 (左右x前后) Distance Between Foundation Bolts	a'xb'	mm	1145x1540	1200x1660	1450x2020	1600x2100	1640x2140	1750x2185
工作台板厚度Bolster Thickness	H3	mm	155	165	180	190	190	210
侧面开口尺寸Side Opening Size (前后x高度)	ExF	mm	560x350	620x400	690x450	740x480	740x480	790x500
滑块底面尺寸Slide Bottom Size (前后x左右)	bxax	mm	520x620	580x700	650x880	700x950	700x950	750x1020
工作台离地面距离Bolster Surface Height	H1	mm	900	900	1000	1000	1000	1100
外形尺寸Overall Dimensions (前后x左右x高)	AxBxH	mm	2200x1380 x3035	2180x1500 x3035	2480x1620 x3800	2690x1740 x3850	2770x1780 x3850	2880x1860 x4140
主电机功率Motor Power		KW	11	15	18.5	22	30	37
重量Weight(Approximate)		Kg	10800	16000	21300	24500	29000	36500
压机气压Press Pressure		Mpa	0.5					

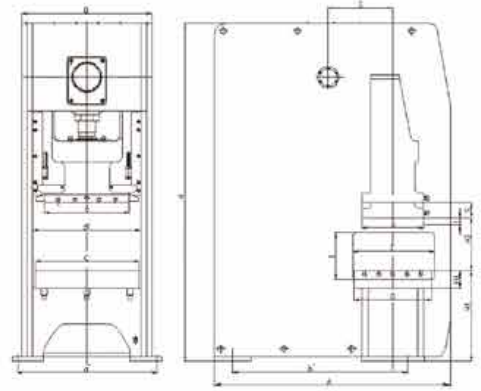
(可根据用户要求定制产品) 本样本内容如有变更, 恕不另行通知。The contents are subject to change without prior notice.

### ► 性能特点:

- ✿ 钢板焊接机身, 将传统的C形开口改为D形开口, 具有高强度、高刚度、高精度;
- ✿ 滑块采用六面矩形导轨, 导向好, 精度高;
- ✿ 采用高扭矩摩擦离合器, 工作稳定, 噪音小, 使用寿命长, 安全可靠;
- ✿ 电动调模, 读数精确到0.1mm;
- ✿ 采用集中润滑, 具有循环指示装置;
- ✿ 可配备各类自动化周边设备, 大大地提高生产率; 可选配气垫和光电保护装置;
- ✿ 进口电气元器件, 提高机床使用性能。

### ► FEATURES:

- ✿ Body with welded steel plate, change C form to D form and with high rigidity and high accuracy;
- ✿ 6-surface rectangle guide way;
- ✿ Adopts wet clutch, stable action, low noise, long life and safety;
- ✿ Electrical adjustment of modal, the accuracy is 0.1mm;
- ✿ Lubrication together and with the circle signal system;
- ✿ Can be equipped with all kinds of matching machine; air cushion and photo-electrical protection are optional components;
- ✿ Use imported parts to improve the quality of machine.



**JH31-200**  
STRAIGHT-SIDE  
SINGLE POINT FIXED  
BOLSTER PRESS